

# RN3605 Product Datasheet

UPDU<sup>®</sup> RCM Outlet Switched & Metered  
3x32A 36 Combo C13/C15/C19/C21 red

**Revision: 4, Edition: 1**

**Date: 2025-09-30**

**Doc gen: v1.4.2-b6887b83**

## Metering

<b>Metering</b>	Voltage (V, true RMS), Current (A, true RMS), Active Power (W), Apparent Power (VA), Reactive Power (var), Active energy (kWh), Reactive energy (kvarh, capacitive and inductive), Frequency (Hz), Power Factor
<b>Measurment values per inlet</b>	Yes
<b>Measurment values per branch</b>	Yes
<b>Measurment values per module</b>	Yes
<b>Measurment values per outlet</b>	Yes
<b>Metering accuracy</b>	<p>Billing-grade accuracy, compliant with, but not certified MID (Measuring Instruments Directive) 2014/32/EU, EN50470-1 (general requirements, test and conditions) and EN50470-3, Class C (static meters for active energy, class C (0.5% precision))</p> <p>Voltage: <math>\pm 0.5\%</math>, <math>U \geq 15V \sim</math>            Current: <math>\pm 0.5\%</math>, <math>I \geq 35mA</math>            Active Power: <math>\pm 0.5\%</math>, <math>P \geq 1W</math>            Reactive power: <math>\pm 0.5\%</math>, <math>Q \geq 1var</math>            Apparent power: <math>\pm 0.5\%</math>, <math>S \geq 4VA</math>            Frequency: <math>\pm 0.1\%</math>, <math>I \geq 47-63Hz</math></p>
<b>Metering bandwidth</b>	2Hz-2kHz
<b>Alarms</b>	<p>Free setting of 4 thresholds on:</p> <ul style="list-style-type: none"> <li>- single outlets, modules, branches or phases</li> <li>- current, voltage, etc. temperature and humidity</li> <li>- RCM AC and DC on Inlet</li> </ul>
<b>Residual current monitoring (RCM)</b>	Yes, on inlet
<b>RCM type</b>	Type B (AC RMS & DC)
<b>RCM range</b>	$\pm 100mA$
<b>RCM accuracy</b>	$\pm 5\%$ (DC-500Hz), $\pm 15\%$ (500Hz-1kHz)

## Data and Interfaces

<b>Load curves storage</b>	High resolution load curves (one sample/second) for 2+ hours. Load curves stored in non-volatile memory for 60+ days (1 minute interval)
<b>Network Interfaces</b>	2x Gigabit Ethernet ports with - Power over Ethernet (PSE and PD) and - internal Gigabit switch for cascading an unlimited number of UPDUs 1x 100Mbit Ethernet port
<b>Remote management / protocols</b>	Console (serial), Telnet, DHCP, SNMP v2/v3, NTP, HTTP, HTTPS, IPv4/v6, RSTP, REST API, SSH, Syslog, Modbus TCP/TLS, LDAP, Radius, TACACS+

## Local Interfaces

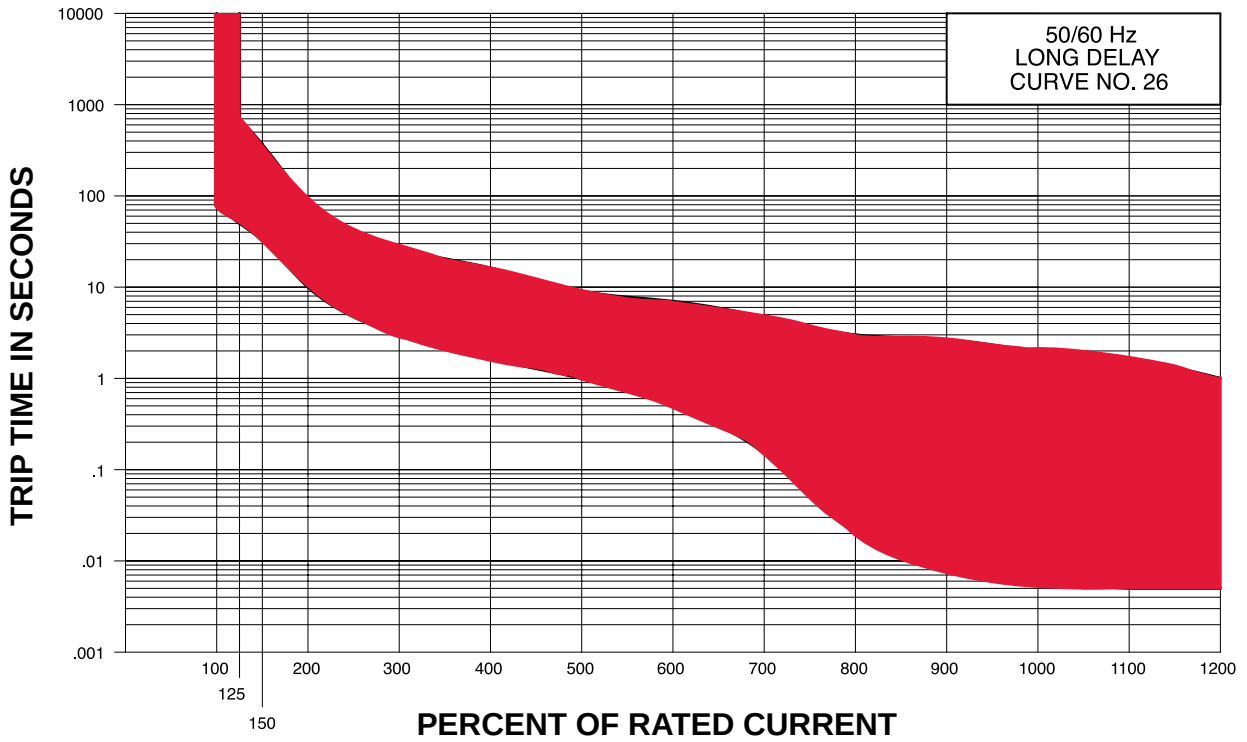
<b>Environmental sensor interfaces</b>	3x AUX ports for external sensors (temperature, humidity and differential pressure sensor, other sensors on request)
<b>Display</b>	Large auto-orienting 2.4" graphic full-color TFT display
<b>USB</b>	2x high-speed USB Ports (type A)
<b>Quick select button</b>	Yes, on each Power Outlet Module

## Inlet Specifications

<b>Power rating</b>	22kVA
<b>Rated inlet voltage</b>	175-415/100-240V~
<b>Rated inlet current</b>	3x32
<b>Rated frequency</b>	50-60Hz
<b>Inlet connection</b>	3LNPE
<b>Inlet cable and plug</b>	3.0m cable, connector CEE32/5 6h
<b>Inlet cable entry</b>	Front

# Branch Specifications

Number of branches	6
Overload protection	6x Compact hydraulic-magnetic MCBs
Nominal current	16A
Breaking capacity	10kA
MCB Type	Carling N41-B0-26-616-122-F3
MCB tripping characteristic	Long tripping curve



## Outlet Specifications

<b>Outlet switching</b>	Yes, bi-stable 20A high quality relays
<b>Rated output voltage</b>	100-240V~
<b>Maximum current per outlet</b>	16A
<b>Outlets</b>	36 x CX IEC60320, compatible with C14, C16, C20 and C22 (6 modules with 6xCX each)
<b>Cable locking</b>	Yes, all outlets are compatible with TwyLock® power cords
<b>Outlet status indication</b>	Yes, each outlet is equipped with LEDs indicating the voltage

## Physical Specifications

<b>Modularity</b>	Yes, fully modular design, all modules assembled from the front and easily replaceable
<b>Material Classification</b>	LSZH (low smoke, zero halogen) cables and wires
<b>Color</b>	Red powder coated
<b>Product dimensions (W x D x H)</b>	49.8mm x 59.8mm x 1796mm
<b>Product weight</b>	Appr. 7.5kg
<b>Shipping dimensions (W x D x H)</b>	194mm x 110mm x 2200mm
<b>Shipping weight</b>	Appr. 8.4kg
<b>Mounting</b>	Tool-less rack mounting, 2 mounting buttons included Optional top and bottom mounting brackets

## Environmental Parameters

<b>Operating temperature</b>	0 - 60°C
<b>Operating relative humidity</b>	10 - 90% RH non-condensing
<b>Operating elevation</b>	0 - 3000m

## Product Compliance

---

<b>Certifications / approvals</b>	CE, compliant to IEC 62368-1:2018, EN IEC 61000-6-2:2016 ETSI EN 301 489-1:2019, EN 55032:2015, CISPR 32:2015 EN IEC 61000-6-3:2020, RoHS (2011/65/EU and 2015/863/EU)
<b>Warranty</b>	2 years manufacturer warranty

---

### Disclaimer

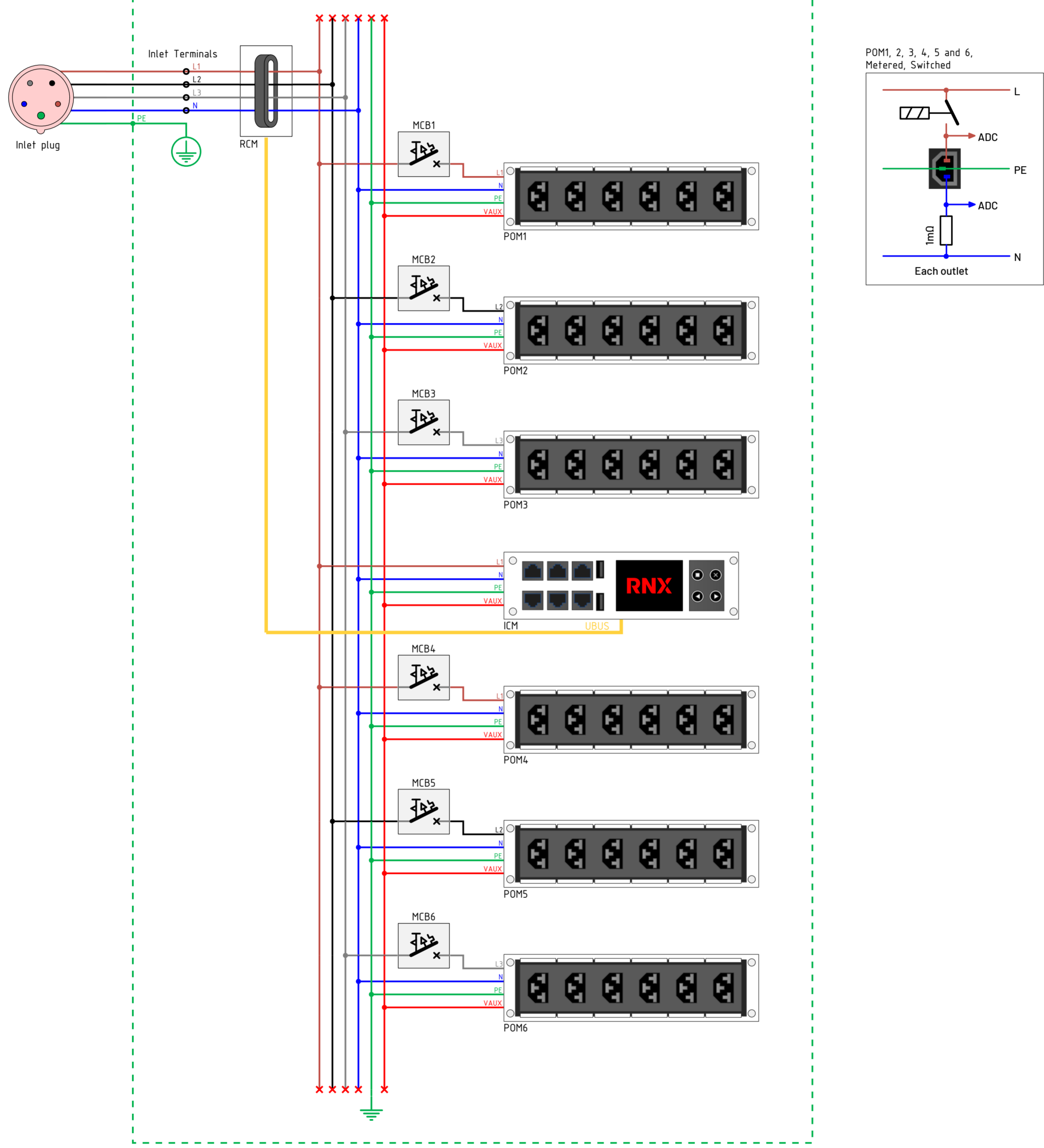
© 2025 Riedo Networks Ltd. All rights reserved.

RNX, UPDU and TwyLock are registered trademarks of Riedo Networks.

Every effort has been made to ensure that the information in this product datasheet is accurate. The information in this product datasheet is subject to change without notice and should not be construed as a commitment by Riedo Networks Ltd.

Riedo Networks Ltd assumes no responsibility or liability for any errors or inaccuracies that may appear in this product datasheet.

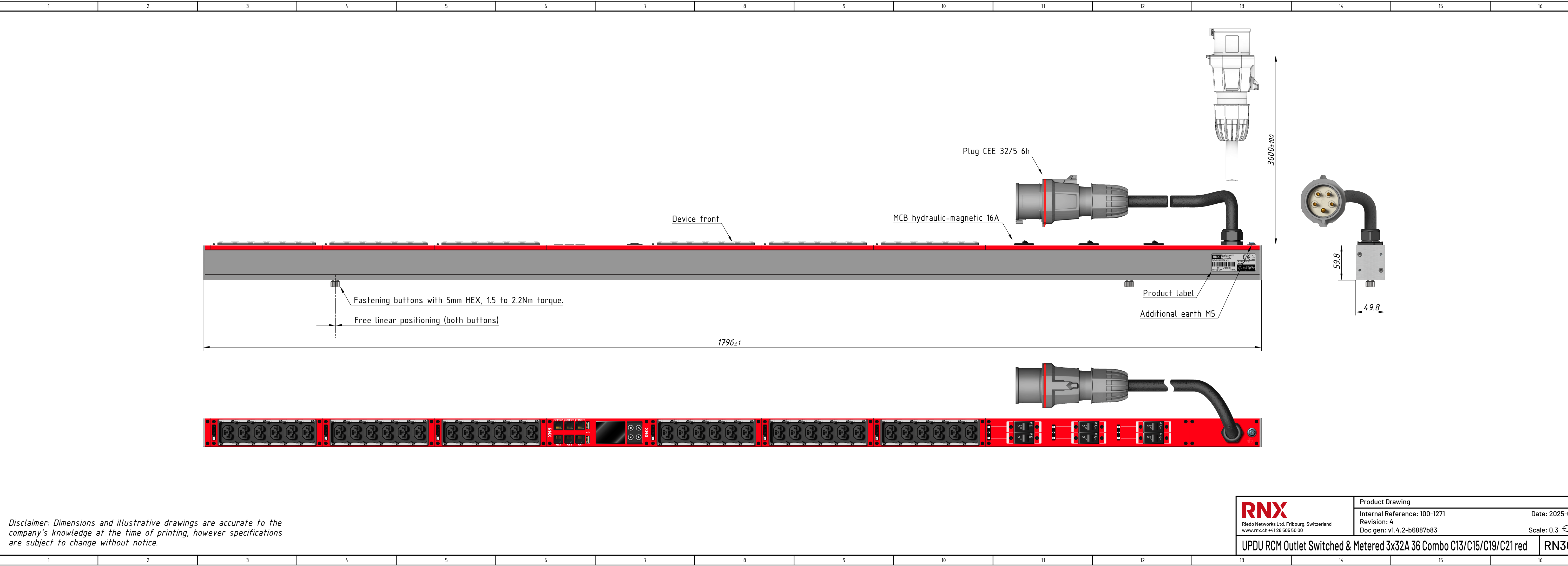
We reserves all rights in this document and it's subject matter. The recipient hereby acknowledges these rights and assures the use of this document only for the purpose it was delivered to. Riedo Networks Ltd.





Dieses Dokument ist unser geistiges Eigentum. Es darf ohne unsere ausdrückliche Genehmigung weder kopiert, weitergegeben, veröffentlicht, noch in irgendeiner Weise verändert werden. Riedo Networks AG.

We reserves all rights in this document and it's subject matter. The recipient hereby acknowledges these rights and assures the use of this document only for the purpose it was delivered. © Riedel Networks Ltd

Dieses Dokument ist unser geistiges Eigentum. Es darf ohne unsere ausdrückliche Genehmigung weder kopiert, weitergegeben, veröffentlicht oder in irgendeiner Weise verändert werden. © Riedel Networks AG



*Disclaimer: Dimensions and illustrative drawings are accurate to the company's knowledge at the time of printing, however specifications are subject to change without notice.*

 Riedo Networks Ltd, Fribourg, Switzerland www.rnx.ch +41 26 505 50 00	Product Drawing	Date: 2025-09-26
	Internal Reference: 100-1271	Revision: 4
	Doc gen: v1.4.2-b6887b83	Scale: 0.3 
UPDU RCM Outlet Switched & Metered 3x32A 36 Combo C13/C15/C19/C21 red		<b>RN3605</b>